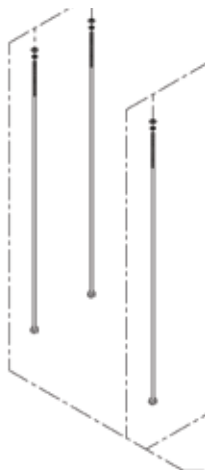


ProHost® Mobile components are designed to be "field-replaceable", meaning individual parts may be ordered from Hostar International, Inc. and repaired using ordinary tools found in most engineering departments. The following photographs and product numbers will assist in identifying the correct part(s) to order.

Hostar's field service office is pleased to answer service calls from 8:00 AM until 5:30 PM Eastern Time, United States and Canada. If it is more convenient please call your sales associate. Questions may be emailed to fieldservice@hostar.com.

CONNECTING BOLTS & BRACKETS



DESCRIPTION

Long bolts running through Mobile side panels that hold the base to the top panel. "L" Brackets reinforce Mobile side panel/back panel connection.

PRODUCT NUMBER

- 18535 Long Bolt Assembly, Junior Supplier
- 18540 Long Bolt Assembly, Mobile Supplier/Collector
- 18550 Long Bolt Assembly, Super Supplier & Super Collector
- 18981 Interconnecting "L" Bracket Kit
- 10020 A Back Panel Bracket

Product	Length		Width		Height		Weight	
	(in.)	(mm)	(in.)	(mm)	(in.)	(mm)	(lbs.)	(kg)
18535	33.0	838.2	.05	12.7	.05	12.7	0.6	0.3
18540	43.0	1092.2	.5	12.7	.5	12.7	0.7	0.3
18550	53.0	1346.2	.05	12.7	.05	12.7	0.9	0.4
18981	1.5	38.1	0.6	16.0	1.5	38.1	0.1	0.0

HANDY SUPPLIER PARTS



18321V

18461V



18021V

DESCRIPTION

Components that are unique to the Handy Supplier. On order placement Hostar will ensure replacement parts match your generation of equipment.

PRODUCT NUMBER

- 18147 HS Vendor Bearer(with TC Grid only)
- 18321 Handy Supplier Right Side Panel Assembly
- 18321 A Handy Supplier Right Side Panel Assembly (w/Grid)
- 18461 Handy Supplier Left Side Panel Assembly
- 18461 A Handy Supplier Left Side Panel Assembly (w/Grid)
- 18021 Handy Supplier Top Panel & Bumper Assembly
- 18465 Handy Supplier Right Top Rail Assembly
- 18475 Handy Supplier Left Top Rail Assembly
- 18470 Handy Supplier Right Rail Assembly
- 18480 Handy Supplier Left Rail Assembly
- 18485V 9" Strip Assembly (each)
- 18490V 27" Strip Lower Assembly (each)
- 18491V 27" Strip Upper Assembly (each)
- 18495V 37" Strip Assembly (each)

Product	Length		Width		Height		Weight	
	(in.)	(mm)	(in.)	(mm)	(in.)	(mm)	(lbs.)	(kg)
18321V / 18461V	42	1066.8	21	533.4	2.6	66.8	13.9	6.3
18021V	21.4	543.1	26.9	682.8	4.5	114.3	13	5.9
18465 / 1 8475 / 18470 / 18480	16.5	419.1	1.8	44.5	1	25.4	1	.4
18485V	9.3	235.0	.8	20.3	.1	3.3	.2	.1
18490V / 18491V	27.1	689.1	.5	12.7	.2	4.8	.7	.3
18495V	37.2	944.6	.5	12.7	.2	4.8	.8	.4

SUPPLIER CENTER PANELS



1305V

1260V

1245V

DESCRIPTION

Center panel allows Mobile to hold totes. On order placement Hostar will ensure replacement parts match your generation of equipment.

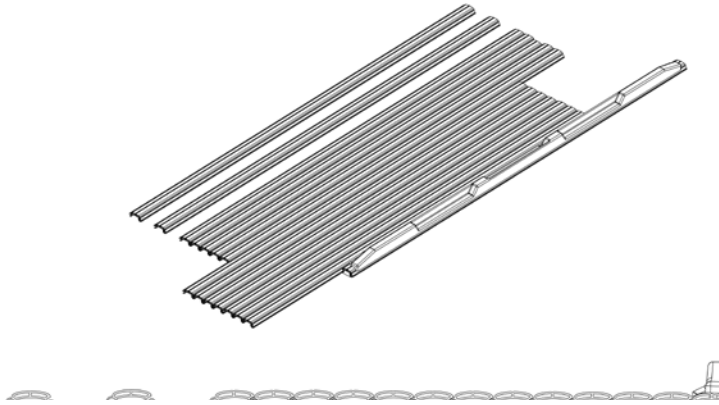
PRODUCT NUMBER

- 1245V Center Panel, Mobile Junior Supplier
- 1260V Center Panel, Mobile Supplier
- 1305V Center Panel, Super Supplier
- 1243V Center Panel for T-Shelf

Product	Length		Width		Height		Weight	
	(in.)	(mm)	(in.)	(mm)	(in.)	(mm)	(lbs.)	(kg)
1245V	28.5	723.9	17.8	450.9	2	50.8	6.6	3
1260V	37.7	957.3	17.8	450.9	2	50.8	9.1	4.1
1350V	57.8	1212.9	17.8	450.9	2	50.8	10.1	4.6

SUPPLIER PARTS

SUPPLIER TAMBOUR DOOR & HANDLE PARTS



DESCRIPTION

Full door replacement or components to repair a tambour door for Junior, Super and Mobile Supplier and Mobile Super Collector.

PRODUCT NUMBER

- 18089 Linked Tambour Door Assembly, MCS (does not include attachment bar)
- 18087A Linked Tambour Door Handle Assembly
- 8107 Linked Tambour Door Lobe
- 18062 Linked Tambour Door Lock Lobe Assembly
- 18085 Tambour Door Handle Assembly
- 18090 Tambour Door Assembly, JS
- 18095 Tambour Door Assembly, MS
- 18100 Tambour Door Assembly, MSS
- 18105 Tambour Door Assembly MCS
- 18050 MSC Removable Lower Door

Product	Length		Width		Height		Weight	
	(in.)	(mm)	(in.)	(mm)	(in.)	(mm)	(lbs.)	(kg)
18089	34.8	882.7	43.3	1098.6	1.1	28.7	7.0	3.2
18035	42.3	1073.2	32.4	822.5	2.8	69.9	11.1	5.0
18050	42.3	1093.2	32.4	1822.5	2.8	19.9	11.1	0.5

PLATE ASSEMBLIES

DESCRIPTION

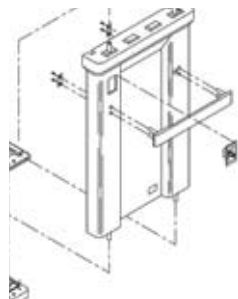
Replacement parts for plate assemblies.

PRODUCT NUMBER

- 118777 Power Ready Blank Plate Assembly

Product	Length		Width		Height		Weight	
	(in.)	(mm)	(in.)	(mm)	(in.)	(mm)	(lbs.)	(kg)
118777	3.5	88.9	2.3	57.2	1.0	25.4	0.2	0.1

HANDLE ASSEMBLIES



DESCRIPTION

Replacement parts for the Mobile handle side panel assemblies.

PRODUCT NUMBER

- 19215 Right Handle Assembly Non Powered & Left Handle Assembly, MSC
- 18195 Left Handle Assembly, JS, MS, MSS

Product	Length		Width		Height		Weight	
	(in.)	(mm)	(in.)	(mm)	(in.)	(mm)	(lbs.)	(kg)
19215 / 18195	19.0	482.6	2.5	63.5	2.1	54.1	1.0	0.4



1140 V



1160 V



1180 V

DESCRIPTION

Left and right back panels for Mobile Junior, Supplier, Super and Super Collector. Back panel is comprised of two pieces. On order placement Hostar will ensure replacement parts match your generation of equipment.

PRODUCT NUMBER

- 1140 V Right & Left Back Panel, Junior Supplier
- 1160 V Right & Left Back Panel, Mobile Supplier
- 1180 V Right & Left Back Panel, Super Supplier

Product	Length		Width		Height		Weight	
	(in.)	(mm)	(in.)	(mm)	(in.)	(mm)	(lbs.)	(kg)
1140 V	26.8	679.5	22.8	577.9	-.8	19.1	4.3	2.0
1160 V	36.9	936.8	22.3	565.2	0.8	19.1	6.2	2.8
1180 V	53.0	1346.2	.0.5	12.7	0.8	19.1	8.6	3.9

SUPPLIER SIDE PANELS



18363 V



DESCRIPTION

Right and left side panels for Junior, Supplier, Super and Super Collector Mobiles. The right side panel has a lock cup. On order placement Hostar will ensure replacement parts match your generation of equipment.

PRODUCT NUMBER

- 3220 V Right Side Panel, Junior Supplier
- 3240 V Right Side Panel, Mobile Supplier
- 3280 V Right Side Panel, Super Supplier/Supper Collector
- 19283 Right Side Panel, Super Collector, Non Power
- 3380 V Left Side Panel, Junior Supplier
- 3400 V Left Side Panel, Mobile Supplier
- 3440 V Left Side Panel, Super Supplier/Supper Collector

Product	Length		Width		Height		Weight	
	(in.)	(mm)	(in.)	(mm)	(in.)	(mm)	(lbs.)	(kg)
3220 V	32.3	819.2	20.3	514.4	2.3	57.2	9.1	4.1
3240 V	42.0	1066.8	20.3	514.4	2.3	57.2	12.2	5.5
3280 V/19283	52.3	1327.2	20.3	514.4	2.3	57.2	14.5	6.6
3380 V	32.3	819.2	20.3	514.4	2.3	57.2	9.1	4.1
3400 V	42.0	1066.8	20.3	514.4	2.3	57.2	12.2	5.5
3440 V	52.3	1327.2	20.3	514.4	2.3	57.2	14.5	6.6

SUPPLIER PARTS

CASTERS & HARDWARE

6"



11530

11535

8"



11660

11665

PRODUCT NUMBER

- 11530V 6" Service Swivel Caster
- 11535V 6" Service Fixed Caster
- 19945 6" Service Swivel Caster Replacement (with custom milling)
- 19946 6" Service Fixed Caster Replacement (with custom milling)

- 11660V 8" Service Swivel Caster
- 11665V 8" Service Fixed Caster

- 11650V 8" Pneumatic Foamed, Swivel
- 11655V 8" Pneumatic Foamed, Fixed

- 19947 8" Service Swivel Caster Replacement (w/ custom milling)
- 19948 8" Service Fixed Caster Replacement (w/ custom milling)
- 18547V Caster Mounting Hardware
- 11624 6" Braking Kit, SC
- 11625 8" Braking Kit Service Caster

Product	Length		Width		Height		Weight	
	(in.)	(mm)	(in.)	(mm)	(in.)	(mm)	(lbs.)	(kg)
11530V	6.7	170.2	4.0	101.6	7.5	190.5	3.9	1.8
11535V	6.0	152.4	4.0	101.6	7.5	190.5	4.8	2.2
18547V	0.9	23.8	0.8	19.1	0.8	19.1		
11660V	8.7	221.0	4.0	101.6	9.5	241.3	4.8	2.2
11665V	8.0	203.2	4.0	101.6	9.5	241.3	5.0	2.3

CHEMICAL CADDY CUP & FRAME



6080

PRODUCT NUMBER

- 16150 Chemical Caddy PHS, Frame (not shown)
- 6080 Chemical Caddy PHS, Cup

Product	Length		Width		Height		Weight	
	(in.)	(mm)	(in.)	(mm)	(in.)	(mm)	(lbs.)	(kg)
16150	13.0	330.0	20.8	528.0	5.5	140.0	1.3	0.6
6080	19.3	490.0	7.3	185.0	5.0	127.0	1.5	0.7

COMMON SUPPLIER PARTS

DESCRIPTION

These replacement parts are for Mobile Juniors, Suppliers, Super Suppliers and Super Collectors.

Topside



18120

PRODUCT NUMBER

18120 Inner Top Panel Assembly

Product	Length		Width		Height		Weight	
	(in.)	(mm)	(in.)	(mm)	(in.)	(mm)	(lbs.)	(kg)
18120	46.0	1168.4	18.0	457.2	2.4	60.5	8.4	3.8

Topside



19000

PRODUCT NUMBER

19000 Top Panel Assembly w/o Bumper, Supplier

Product	Length		Width		Height		Weight	
	(in.)	(mm)	(in.)	(mm)	(in.)	(mm)	(lbs.)	(kg)
19000	46.6	1182.6	21.0	533.4	1.6	39.6	12/0	5.4

Underside



18000

PRODUCT NUMBER

18000 Top Panel & Bumper Assembly, Supplier

Product	Length		Width		Height		Weight	
	(in.)	(mm)	(in.)	(mm)	(in.)	(mm)	(lbs.)	(kg)
18000	46.9	1190.8	21.5	546.1	3.5	88.9	23.2	10.5

Topside



19500

PRODUCT NUMBER

19500 Base Panel Assembly w/o Bumper, Supplier

Product	Length		Width		Height		Weight	
	(in.)	(mm)	(in.)	(mm)	(in.)	(mm)	(lbs.)	(kg)
19500	46.5	1181.1	21.1	536.7	2.6	66.8	12.7	5.8

Tote Carrier Top Panel

PRODUCT NUMBER

18033 Tote Carrier Top Panel Assembly (not shown)

SUPPLIER PARTS

COMMON SUPPLIER PARTS



9000

PRODUCT NUMBER

- 9000 Top Bumper, Supplier
- 18005 Top Bumper Assembly, Supplier

Product	Length		Width		Height		Weight	
	(in.)	(mm)	(in.)	(mm)	(in.)	(mm)	(lbs.)	(kg)
9000	46.9	1190.8	21.5	546.1	1.9	47.8	9.7	4.4
18005	4	1190.8					11.5	5.2



18511 V

PRODUCT NUMBER

- 18511 V Base & Bumper Assembly, S, Non Power
- 18512 V Base & Bumper Assembly, S, PM4
- 18509 V Base & Bumper Assembly, S, PM5

Product	Length		Width		Height		Weight	
	(in.)	(mm)	(in.)	(mm)	(in.)	(mm)	(lbs.)	(kg)
118511V/18512 V	47.0	1193.8	21.3	541.3	3.1	79.5	48.0	21.8

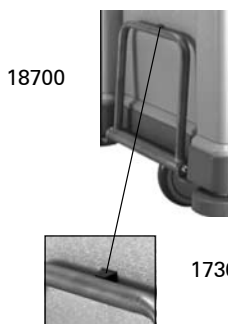


9020

PRODUCT NUMBER

- 9020 Base Bumper, Supplier
- 19505 Base Bumper Assembly, Supplier

Product	Length		Width		Height		Weight	
	(in.)	(mm)	(in.)	(mm)	(in.)	(mm)	(lbs.)	(kg)
9020	47.0	1193.8	21.3	541.3	2.6	66.8	14.4	6.6



18700

17360

PRODUCT NUMBER

- 18700 Hitch Loop Assembly, Supplier
- 17360 Hitch Bumper

Product	Length		Width		Height		Weight	
	(in.)	(mm)	(in.)	(mm)	(in.)	(mm)	(lbs.)	(kg)
18700	9.8	247.7	13.3	336.6	1.3	33.3	2.6	1.2
17360	.8	19.1	.8	19.1	.3	7.9		

PRODUCT NUMBER

- 18375 Vacuum Shelf Adaptor Plate, Supplier

Product	Length		Width		Height		Weight	
	(in.)	(mm)	(in.)	(mm)	(in.)	(mm)	(lbs.)	(kg)
18375	13.5	342.9	1.5	38.1	0.5	12.7	2.0	0.9

PRODUCT NUMBER

- 18728 T-Bin Support Bracket, MS-R

MOBILE COLLECTOR PARTS

DESCRIPTION

Replacement parts for the Mobile Collector including vacuum attachment components, velcro fasteners, and hitch components.

PRODUCT NUMBER

1320 Mobile Collector Separator Panel

Product	Length		Width		Height		Weight	
	(in.)	(mm)	(in.)	(mm)	(in.)	(mm)	(lbs.)	(kg)
1320	17.9	454.0	22.6	574.8	1.0	25.4	2.9	1.3



18640

PRODUCT NUMBER

18640 CL Bin Assembly

5020 CL Bin

Product	Length		Width		Height		Weight	
	(in.)	(mm)	(in.)	(mm)	(in.)	(mm)	(lbs.)	(kg)
18640	19.8	501.7	21.5	546.1	29.0	736.6	2.0	9.1



18620

PRODUCT NUMBER

18620 CT Tote Assembly

5000 CT Tote

Product	Length		Width		Height		Weight	
	(in.)	(mm)	(in.)	(mm)	(in.)	(mm)	(lbs.)	(kg)
18620	18.0	457.2	21.5	546.1	10.5	266.7	7.9	3.6



1220

PRODUCT NUMBER

1220 Back Panel, MC

Product	Length		Width		Height		Weight	
	(in.)	(mm)	(in.)	(mm)	(in.)	(mm)	(lbs.)	(kg)
1220	39.8	1009.7	22.3	565.2	1.3	31.8	7.9	3.6

PRODUCT NUMBER

18655 A T-Bin with Lid Assembly (with thumb grips)

5030 A T-Bin (with thumb grips)

5035 A Lid for T-Bin (with thumb grips)

18725 T-Bin Support Assembly - MC-R

18726 T-Bin Support Assembly - MC-L

Product	Length		Width		Height		Weight	
	(in.)	(mm)	(in.)	(mm)	(in.)	(mm)	(lbs.)	(kg)
18655A	17.5	444.5	21.3	539.8	27.8	704.9	14.1	6.4



18655

PRODUCT NUMBER

18720 Hitch Half Assembly

18740 Vacuum Shelf Assembly

18730 Vacuum Shelf Adaptor Plate, Mobile Collector

18722 Extended Hitch-Half for T-Bin

Product	Length		Width		Height		Weight	
	(in.)	(mm)	(in.)	(mm)	(in.)	(mm)	(lbs.)	(kg)
18720	3.5	88.9	10.5	266.7	1.6	41.4	1.9	0.9
18740	7.5	190.5	12.0	304.8	1.4	35.1	2.3	1.0
18730	7.0	177.8	1.5	38.1	0.3	6.4	0.5	0.2

COLLECTOR PARTS

MOBILE COLLECTOR PARTS



18020

PRODUCT NUMBER

18020 Top Panel & Bumper Assembly, MC

Product	Length		Width		Height		Weight	
	(in.)	(mm)	(in.)	(mm)	(in.)	(mm)	(lbs.)	(kg)
18020	21.4	543.1	26.9	682.8	4.5	114.3	13.0	5.9



19020

PRODUCT NUMBER

19020 Top Panel Assy, MC -w/mounting hardware (no bumper)

Product	Length		Width		Height		Weight	
	(in.)	(mm)	(in.)	(mm)	(in.)	(mm)	(lbs.)	(kg)
19020	21.0	533.4	36.5	673.1	1.8	44.5	7.8	3.5



18030

PRODUCT NUMBER

18030 Top Bumper Assembly, MC - w/mounting hardware

Product	Length		Width		Height		Weight	
	(in.)	(mm)	(in.)	(mm)	(in.)	(mm)	(lbs.)	(kg)
18030	21.4	543.1	26.9	682.8	2.6	66.8	5.2	2.3



18320

PRODUCT NUMBER

- 18320 Right Side Panel Assembly, MC
- 18323 Right Side Panel Assembly, MC Lift
- 18460 Left Side Panel Assembly, MC
- 18463 Left Side Panel Assembly, MC

Product	Length		Width		Height		Weight	
	(in.)	(mm)	(in.)	(mm)	(in.)	(mm)	(lbs.)	(kg)
18320	42.0	1066.8	21.0	533.4	2.6	66.8	13.8	6.3



19460

PRODUCT NUMBER

19465 Left Side Panel Assembly, MC-w/hook style vacuum fastner

Product	Length		Width		Height		Weight	
	(in.)	(mm)	(in.)	(mm)	(in.)	(mm)	(lbs.)	(kg)
19460	42.0	1066.8	21.0	533.4	2.6	66.8	13.5	6.1

PRODUCT NUMBER

- 18210 Side Panel Handle Assembly, MC
- 18747 Hook Style Vacuum Fastner Assembly w/ 2 deck loops
- 19748 Hook Style Vacuum Fastner Handle Assembly w/2 deck loops
- 19746 Vacuum Strap Assembly, Replacement Kit

Product	Length		Width		Height		Weight	
	(in.)	(mm)	(in.)	(mm)	(in.)	(mm)	(lbs.)	(kg)
18210	19.0	482.6	2.5	63.5	2.4	60.5	1.0	0.5
18540	43.2	1096.5	0.8	19.1	0.8	19.1	0.7	0.3
18747	16.0	406.4	1.4	35.1	1.1	28.7	0.1	0.1
19746	16.0	406.4	1.4	35.1	1.1	28.7	0.2	0.1

MOBILE COLLECTOR PARTS



19518



19525



19600

PRODUCT NUMBER

- 19518 Base Panel Assembly, Mobile Collector
- 19525 Base Bumper Assembly, MC- w/ mounting hardware
- 19580 CT Fascia Assembly w/ mounting hardware
- 19600 CL Fascia Assembly w/ mounting hardware
- 30260 Velcro (hook side only) 2" x 2" square

Product	Length		Width		Height		Weight	
	(in.)	(mm)	(in.)	(mm)	(in.)	(mm)	(lbs.)	(kg)
19518	21.0	533.4	26.5	673.1	2.8	69.9	8.9	4.0
19525	21.6	549.4	27.0	685.8	2.6	66.8	9.4	4.3
19580	21.6	549.4	10.3	261.9	1.6	41.4	2.3	1.0
19600	21.6	549.4	28.9	733.6	1.6	41.4	5.6	2.5

REVOLVING BUMPER



PRODUCT NUMBER

- 9080 B Revolving Bumper w/2" Insert
- 18985 B Revolving Bumper Assembly w/ mounting hardware

Product	Length		Width		Height		Weight	
	(in.)	(mm)	(in.)	(mm)	(in.)	(mm)	(lbs.)	(kg)
9080 B	4.0	101.6	4	101.6	1.0	25.4	.5	.2

LOCK ASSEMBLIES



DESCRIPTION

Lock assembly includes molded plastic form, lock assembly and two keys.

PRODUCT NUMBER

- 18820 A Lock Assembly, Key Code FR-308
- 18825 A Lock Assembly, Key Code FR-310
- 18830 A Lock Assembly, Key Code FR-311
- 18835 A Lock Assembly, Key Code FR-321
- 18840 A Lock Assembly, Key Code 1250
- 18860 A Lock Assembly, Key Code BH001
- 18870 A Lock Assembly, Key Code BH005
- 18880 A Lock Assembly, Key Code BH034
- 18845 Field Lock Install Kit

Product	Length		Width		Height		Weight	
	(in.)	(mm)	(in.)	(mm)	(in.)	(mm)	(lbs.)	(kg)
	2.0	50.8	2.3	57.2	3.4	85.9	0.2	0.1

GENERAL ACCESSORY PARTS



DESCRIPTION

Bag ring assembly (replacement part only). Attaches to exterior of Mobile Supplier or Mobile Collector. Nylon bag sold separately.*

PRODUCT NUMBER

19197 External Bag Ring Replacement
 * 30185 (Nylon Bag, Brown)

Product	Length		Width		Height		Weight	
	(in.)	(mm)	(in.)	(mm)	(in.)	(mm)	(lbs.)	(kg)
19197	12	304.8	19	482.6	5.5	139.7	4.1	1.9



DESCRIPTION

Vacuum shelf assembly for use with external bag ring.

PRODUCT NUMBER

18741 Vacuum Shelf Assembly

Product	Length		Width		Height		Weight	
	(in.)	(mm)	(in.)	(mm)	(in.)	(mm)	(lbs.)	(kg)
18741	12.8	323.9	13.3	336.6	2.9	73.2	2.9	1.3



18250



17861

17860

DESCRIPTION

Removable tool clip brackets Small tool clip holds 1/2" diameter tool handle. Medium tool clip holds 1" tool handle. Slips over Mobile handle.

PRODUCT NUMBER

18250 A Cleaning Tool Clip- small (removable bracket)
 18250 B Cleaning Tool Clip -medium (removable bracket)
 18250 C Cleaning Tool Clip - Small (permanent)
 18250 D Cleaning Tool Clip - medium (permanent)
 17860 Grip- small
 17861 Grip - medium

Product	Length		Width		Height		Weight	
	(in.)	(mm)	(in.)	(mm)	(in.)	(mm)	(lbs.)	(kg)
18250A	4.5	114.3	1.8	44.5	1.8	44.5	0.2	0.1
18250B	4.5	114.3	1.8	44.5	2.0	450.8	0.3	0.1
17860	1.3	31.8	0.5	12.7	1.0	25.4	0.0	0.0
17860	1.	38.1	0.	16.0	1.3	31.8	0.0	0.0

GENERAL ACCESSORY PARTS



DESCRIPTION

Parts required to add H-Totes to Mobiles or to add handles to H-Totes

PRODUCT NUMBER

- 18140 Vender Bearer, Center Assembly
- 18130 Vender Bearer, Side
- 19665 Handle Assembly for H-Tote

Product	Length		Width		Height		Weight	
	(in.)	(mm)	(in.)	(mm)	(in.)	(mm)	(lbs.)	(kg)
18140 / 18130	17.9	454.2	3.3	82.6	1.3	31.8	.6	.3
19665	9.8	247.7	8.5	215.9	1.5	38.1	0.2	0.1

DESCRIPTION

Parts required to add a T-Shelf

PRODUCT NUMBER

- 1243V Center Panel for T-Shelf
- 18684 T-Shelf w/ Channel
- 18685 T-Shelf Assembly
- 8500 Aluminum Channel

Product	Length		Width		Height		Weight	
	(in.)	(mm)	(in.)	(mm)	(in.)	(mm)	(lbs.)	(kg)
18243V	28.5	723.9	17.8	450.9	2.0	50.8	6.6	3

Half Round Trash Bin



18250

DESCRIPTION

Program Loaded Rack (PLR) replacement parts

PRODUCT NUMBER

- 95750 PLR Divider
- 95610 PLR Label Holder & Label

DESCRIPTION

Half Round Trash Bin that hangs from outside of the Mobile.

PRODUCT NUMBER

- 18650 V Half-round Trash Bin Assembly
- 12130 V Short Bracket for Hanging Trash Bin
- 12131 V Long Bracket for Hanging Trash Bin

Product	Length		Width		Height		Weight	
	(in.)	(mm)	(in.)	(mm)	(in.)	(mm)	(lbs.)	(kg)
18650V	12.8	323.9	21.0	533.4	29.3	743.0	7.3	3.3
12130V	4.6	117.6	.6	16.0	1.6	41.4	.2	.1
12131V	9.0	228.6	.6	16.0	1.5	38.1	.3	.1